



## Schur<sup>®</sup>Star 3030-C Bagging System with numerous options

### Flexibility and Efficiency

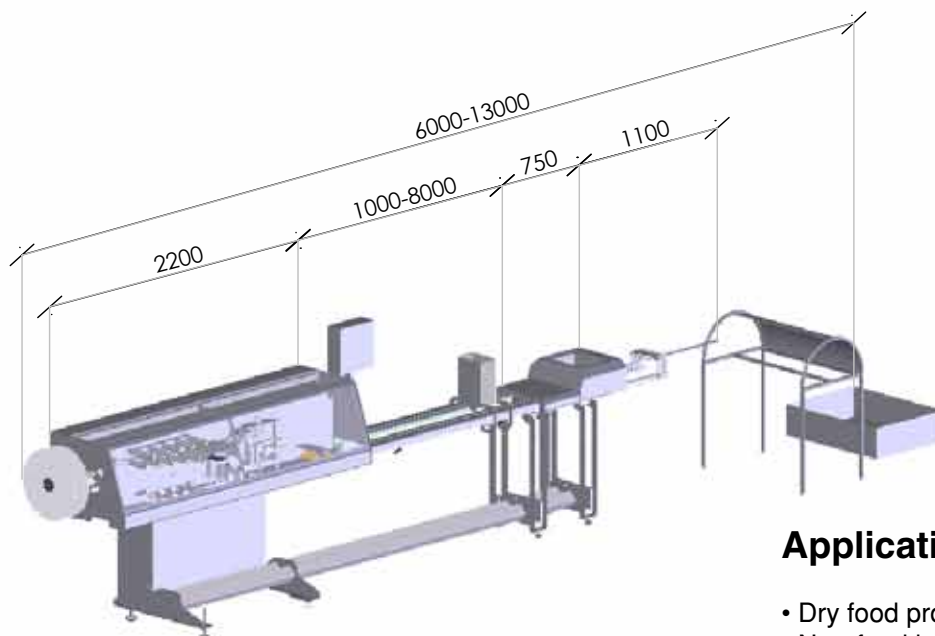
The entire Schur<sup>®</sup>Star product range has been developed with a view to optimising the packing process and the finished package, e.g. by optimum filling conditions, which make the packaging process very user-friendly whilst also ensuring high capacity. Additionally, model 3030-C offers extremely short change-over time and very low waste levels, even when making frequent change over.

#### Accessories:

- Supporting conveyor.
- Opener/closer, recloseable zipper.
- Base opening unit (Stand up bags).
- Filling funnels.
- Air extraction system.
- Compression unit.
- Bag vibrating system.
- System for continuous filling of bags.
- Gas flush unit.
- Bar Sealing System for laminates.
- Sealing System for sealing around handle or euroslot.
- Marking equipment - Thermal transfer, Inkjet or labelling.

## Technical Specifications

<b>Model</b>	Schur®Star 3030-C, Painted version.	<b>Product weight:</b>	Max. 8 kg per bag.
<b>Bag Feeding</b>	Continuously with a pre-selected feeding speed. Intermittently with a pre-selected number of bags per cycle. Automatically with a variable stopping time per cycle for manual or automatic filling.	<b>Bag Change-over</b>	4-5 minutes.
<b>Packaging Speed</b>	Variable bag feeding between 3 and 30 m/min.	<b>Bag Dimension</b>	Max.: Width 450 mm, length 500 mm. Min.: Width 100 mm, length 100 mm. (Different formats on request).
<b>Capacity</b>	Max. 70 bags/min. (Width of bag 200 mm - Continuously filling). Max. 35 bags /min. (Width of bag 200 mm - Intermittently filling - one bag filled at a time).	<b>Power Supply</b>	3 x 400 VAC + 0 + PE, 50Hz, 3,5 kW.
		<b>Air Supply</b>	600 kPa, Consumption: 0.5 m <sup>3</sup> /hour.
		<b>Control System</b>	Simatic PLC S7-300.
		<b>Weight</b>	650 kg.
		<b>Bag Material</b>	PE, CPP, coextruded films and laminates Max.: 0,140 mm - Min.: 0,040 mm.



**NB:** We reserve the right to change technical specifications without notice.

## Applications

- Dry food products
- Non-food industry.
- Pharmaceutical industry.
- Chemical industry.
- Medium or high batch productions.
- Medium or high capacity.

